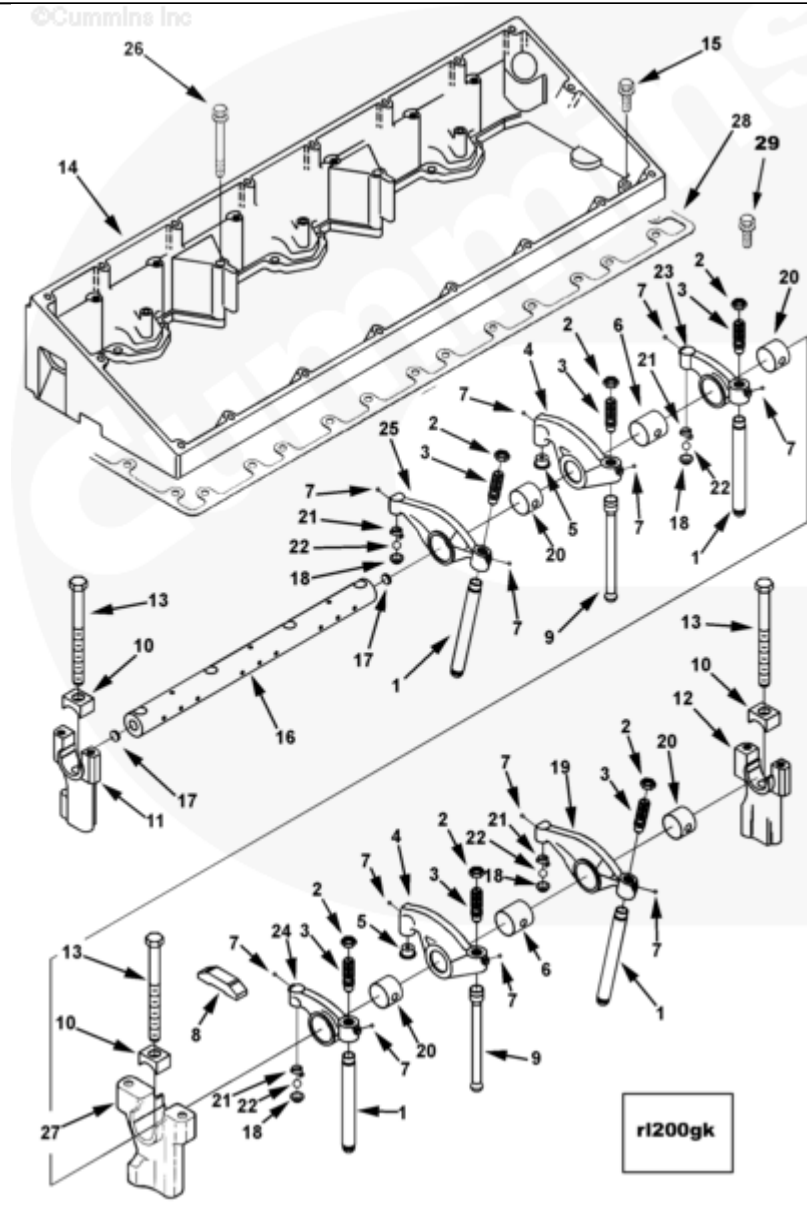




Parts Catalog - Option Detail

Electronic Parts Catalog - Option Detail				
Option	Group	Graphic	Film Card	Date
RL2714-08	03.01	r1200gk	II	12-MAR-04
Engines	ISM CM570, ISM CM570/870, ISM CM875, ISM CM876, ISM CM876 E, ISM11 CM876 M103, ISM11 CM876 SN, M11 CELECT, M11 CELECT PLUS, M11 MECHANICAL, QSM11 CM570, QSM11 CM876			



SMALL | MEDIUM | LARGE

Cart	Ref No	Part Number	Part Description	Required	Remarks
View My Cart					
		RL2714-08	Rocker Lever		

					Rocker Lever
					Engine Brake Supplier:
					Customer or None
					Engine Control System:
					Celect
					Inj Harness Pass Thru Loc:
					Front
<input type="checkbox"/>	1	3068390	Push Rod	12	
<input type="checkbox"/>		3069020	Lever , Rocker (Top Level Assembly)	6	
<input type="checkbox"/>	2	3066257	Regular Hexagon Jam Nut	1	9/16 - 18 UNF.
<input type="checkbox"/>	3	3066644	Slotted Set Screw	1	
<input type="checkbox"/>	4	3068948	Rocker Lever	1	Service as 3069020.
<input type="checkbox"/>	5	3066643	Tappet Socket	1	
<input type="checkbox"/>	6	3067871	Bushing	1	
<input type="checkbox"/>	7	3067941	Ball Plug	2	
<input type="checkbox"/>	8	3070175	Valve Crosshead	6	
<input type="checkbox"/>	9	3076046	Push Rod	6	
<input type="checkbox"/>	10	3077444	Retaining Clamp	8	
<input type="checkbox"/>	11	3079661	Rocker Lever Support	2	
<input type="checkbox"/>	12	3079662	Rocker Lever Support	2	
<input type="checkbox"/>	13	3080722	Hexagon Head Cap Screw	8	
<input type="checkbox"/>	14	3098722	Rocker Lever Housing	1	
<input type="checkbox"/>	15	3161093	Captive Washer Cap Screw	14	
<input type="checkbox"/>		3417765	Rocker Lever Shaft	2	
	16	3417767	Rocker Lever Shaft	1	
	17	4060417	Expansion Plug		
<input type="checkbox"/>		4003911	Rocker Lever		Exhaust Cylinders 1, 3, 5
<input type="checkbox"/>	2	3066257	Regular Hexagon Jam Nut	1	9/16 - 18 UNF.

<input type="checkbox"/>	3	3066644	Slotted Set Screw	1	
<input type="checkbox"/>	7	3067941	Ball Plug	2	
	18	3417922	Tappet Socket	1	
	19	4003907	Rocker Lever	1	
<input type="checkbox"/>	20	3019733	Bushing	1	
	21	3417923	Socket Retainer	1	
	22	3418003	Ball Plug	1	
<input type="checkbox"/>		4003912	Rocker Lever		Intake Cylinders 1, 3, 5
<input type="checkbox"/>	2	3066257	Regular Hexagon Jam Nut	1	9/16 - 18 UNF.
<input type="checkbox"/>	3	3066644	Slotted Set Screw	1	
<input type="checkbox"/>	7	3067941	Ball Plug	2	
	18	3417922	Tappet Socket	1	
<input type="checkbox"/>	20	3019733	Bushing	1	
	21	3417923	Socket Retainer	1	
	22	3418003	Ball Plug	1	
	23	4003908	Rocker Lever	1	
<input type="checkbox"/>		4003913	Rocker Lever		Intake Cylinders 2, 4, 6
<input type="checkbox"/>	2	3066257	Regular Hexagon Jam Nut	1	9/16 - 18 UNF.
<input type="checkbox"/>	3	3066644	Slotted Set Screw	1	
<input type="checkbox"/>	7	3067941	Ball Plug	2	
	18	3417922	Tappet Socket	1	
<input type="checkbox"/>	20	3019733	Bushing	1	
	21	3417923	Socket Retainer	1	
	22	3418003	Ball Plug	1	
	24	4003909	Rocker Lever	1	
<input type="checkbox"/>		4003914	Rocker Lever		Exhaust Cylinders 2, 4, 6
<input type="checkbox"/>	2	3066257	Regular Hexagon Jam Nut	1	9/16 - 18 UNF.
<input type="checkbox"/>	3	3066644	Slotted Set Screw	1	
<input type="checkbox"/>	7	3067941	Ball Plug	2	
	18	3417922	Tappet Socket	1	

<input type="checkbox"/>	20	3019733	Bushing	1	
	21	3417923	Socket Retainer	1	
	22	3418003	Ball Plug	1	
	25	4003910	Rocker Lever	1	
<input type="checkbox"/>	26	3892105	Captive Washer Cap Screw	4	M10 x 1.50 x 100.
<input type="checkbox"/>	27	3893584	Rocker Lever Support	4	
<input type="checkbox"/>	28	4070529	Rocker Lever Housing Gasket	1	
<input type="checkbox"/>	29	4083245	Captive Washer Cap Screw	6	

© 2019 Cummins Inc., Box 3005, Columbus, IN 47202-3005 U.S.A.
Terms of Use and Disclaimers | Recommended System Requirements
Need Assistance? Please click on the Contact Us button in the top right corner of any page.